

# SONDER

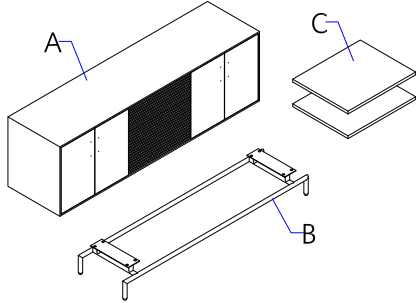
## LIVING

## BLAINE STORAGE CABINET

Thank you for choosing this quality product. Be sure to check all packaging materials carefully for small parts that may have become loose during shipment and place all parts on a non-abrasive surface.

### PART LIST

- A. [1] TOP
- B. [1] BASE
- C. [2] SHELVES



### HARDWARE LIST

NO	DESCRIPTION	QTY
1	 BOLT ( 1/4"x13/16")	8
2	 LOCK WASHER	8
3	 FLAT WASHER	8
4	 ALLEN WRENCH	1
5	 HANDLE	7
6	 BOLT (M4 x 30MM)	6
7	 BOLT (M4 x 20MM)	8
8	 SHELF HOLDER	8
9	 PLASTIC BRACKET	4
10	 RESTRAINT STRAP	2
11	 PHILLIPS SCREWS (M4 x 30)	4
12	 PHILLIPS SCREWS (M4 x 20)	4
13	 PLASTIC ANCHOR	4

### IMPORTANT SAFETY INSTRUCTIONS

1. Please read all instructions carefully before assembling.
2. For your safety, assembly by two or more adults is strongly recommended.
3. Keep instructions for future use.
4. Use only vendor supplied hardware to assemble. Using unauthorized hardware could jeopardize the structural integrity of the item.

### ASSEMBLY INSTRUCTIONS

1. Gently, lay the Top (A) backside down on a soft flat surface. Attach the Base (B) to the top, align and insert the bolt (1) with lock washer (2) and flat washer (3) through the hole on metal of the Base (B) to each fixed nuts under the bottom panel of the Top (A). Tighten all the bolts by using wrench (4). **DO NOT OVER TIGHTEN.** See **FIGURE 01.**

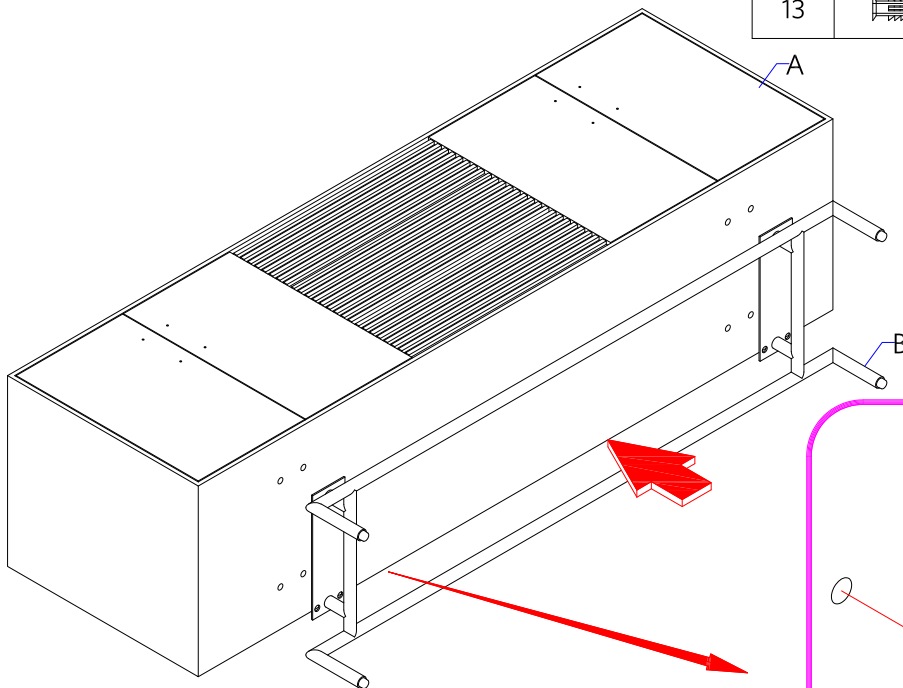
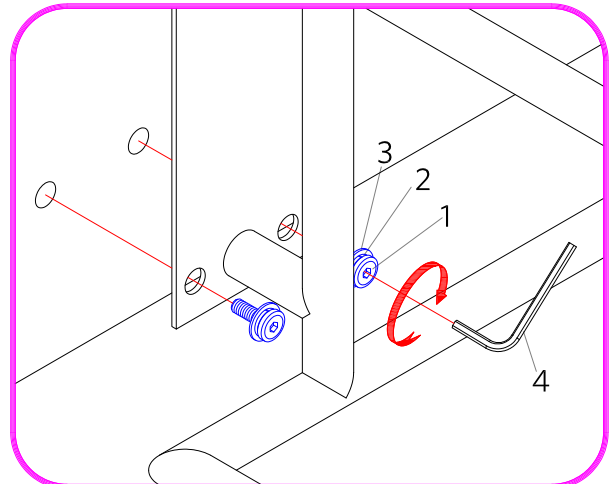
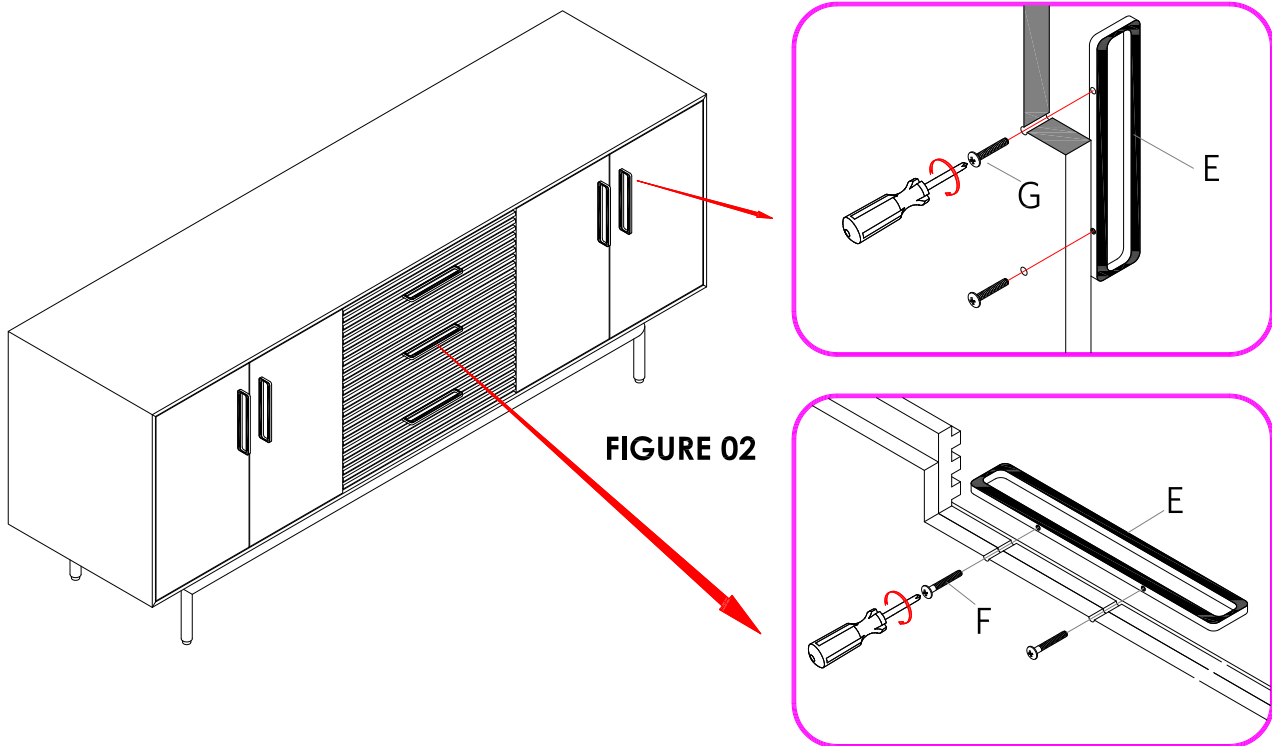


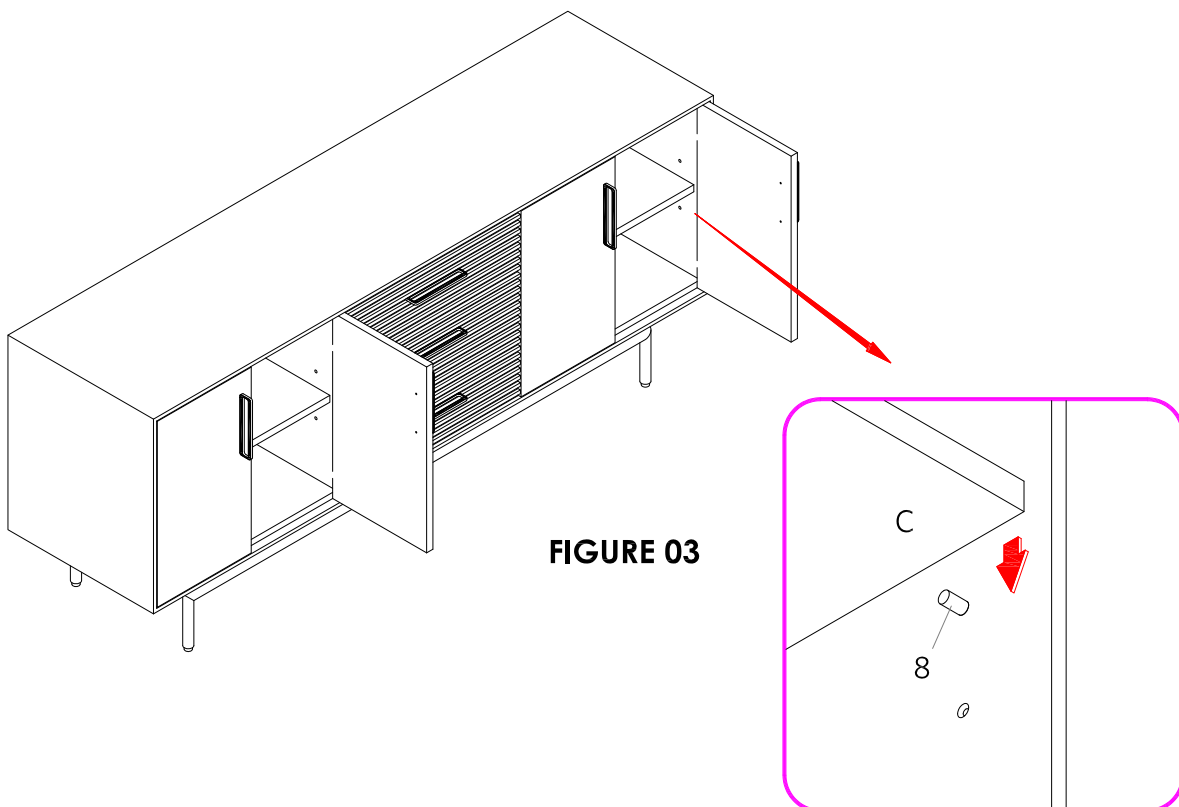
FIGURE 01



2. After assembly, turn the table upright on a flat surface. For packing purpose, the handles were removed and put in hardware bag. Attach the handles (5) to the doors and drawers by using the bolts (6 & 7) provided as illustrated on **FIGURE 2**.



3. Install the shelf holders (8) to the threaded holes inside the cabinet then place the shelf panels (C) on it. Refer **FIGURE 3**.



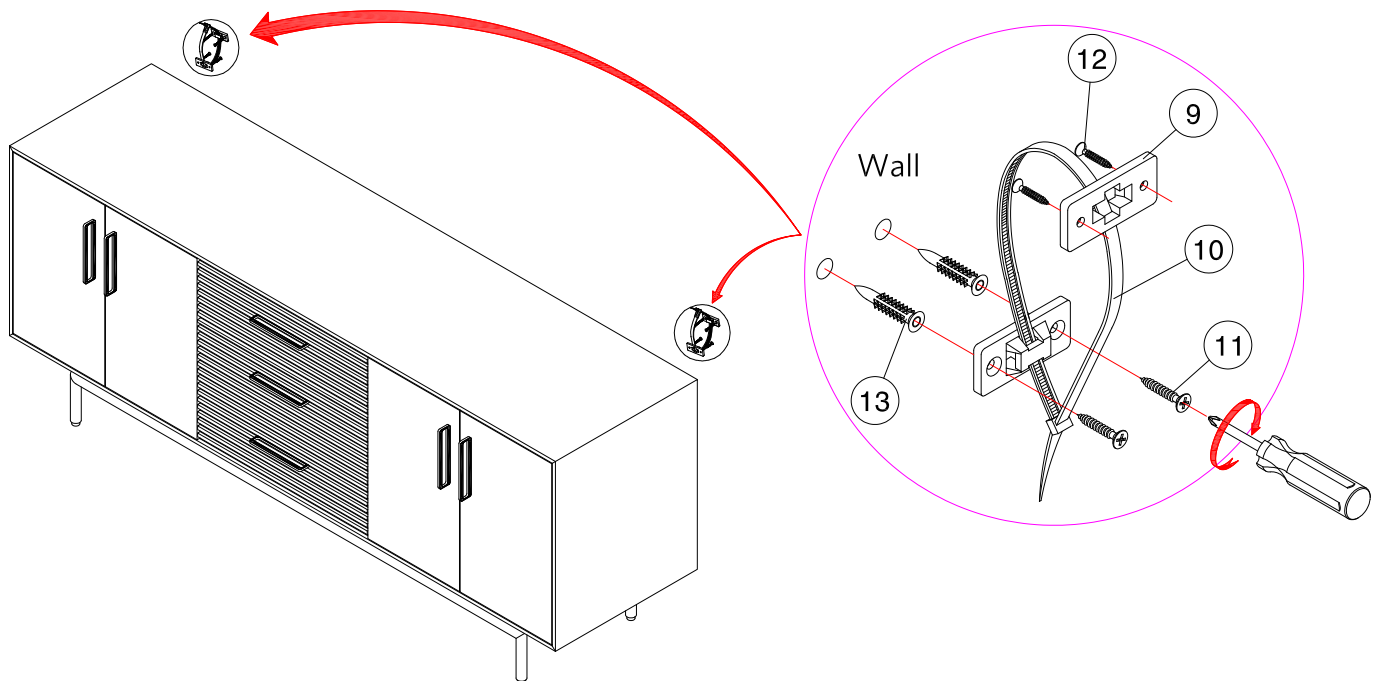
## ANTI TIPPING RESTRAINT INSTRUCTIONS

Young children may be injured by tipping furniture and the use of a tipping restraint is highly recommended. When properly installed, this restraint could provide protection against the unexpected tipping of furniture due to small tremors, bumps or climbing. We recommend mounting this restraint to a wall stud.

**WARNING:** This product is only a deterrent. It is not a substitute for proper adult supervision.

## INSTALLATION INSTRUCTION

1. Attach two of the Plastic Brackets near the top back edge of the furniture piece by inserting the shorter screws .
2. Determine the final position of the furniture piece. Mark locations on the wall approximately 2" below the brackets mounted to the back of the furniture.
3. Drill a shorter hole into the wall stud. If wall stud is not available, drill a hole into the wall and insert Plastic Anchor. Gently tap the Anchor until the flange is flush with the wall.
4. Attach the second set of brackets by inserting the longer screw through the bracket and into the wall.
5. Carefully move the chest backward within 1.5" to 2" from the wall.
6. Place the furniture so that the brackets on the back edge are in line with the brackets in the wall.
7. Lace one end of the nylon restraint strap down through each bracket. Bring both ends together and slide the beaded end until it snap locks into the keyhole slot.
8. To double lock; return the beaded end back through the keyholes as shown.
9. Check to make sure the straps are securely laced and locked to the brackets.



## CARE INSTRUCTIONS

1. Dust often using a clean, soft, dry and lint-free cloth.
2. Blot spills immediately and wipe with a clean, damp, cloth.
3. We do not recommend the use of chemical cleansers, abrasives or furniture polish on our lacquered finish.